



Quick Start Guide

VERSION: 2.2



P.N 858371682016

Copyright

No part of this publication may be reproduced or used in any form, or by any electrical or mechanical means, without permission in writing. This includes electronic or mechanical means, such as photocopying, recording, or information storage and retrieval systems. The material in this manual is subject to change without notice.

The software is provided strictly on an “as is” basis. All software, including firmware, furnished to the user is on a licensed basis. We grant to the user a non-transferable and non-exclusive license to use each software or firmware program delivered hereunder (licensed program). Except as noted below, such license may not be assigned, sublicensed, or otherwise transferred by the user without our prior written consent. No right to copy a licensed program in whole or in part is granted, except as permitted under copyright law. The user shall not modify, merge, or incorporate any part or portion of a licensed program with other program material, create a derivative work from a licensed program, or use a licensed program in a network without written permission. The user agrees to maintain this copyright notice on the licensed programs delivered hereunder, and to include the same on any authorized copies it makes, in whole or in part. The user agrees not to decompile, disassemble, decode, or reverse engineer any licensed program delivered to the user or any portion thereof.

Generalscan reserves the right to make changes to any product to improve reliability, function, or design.

Generalscan does not assume any product liability arising out of, or in connection with, the application or use of any product, circuit, or application described herein.

No license is granted, either expressly or by implication, estoppel, or otherwise under any patent right or patent, covering or relating to any combination, system, apparatus, machine, material, method, or process in which Generalscan products might be used. An implied license exists only for equipment, circuits, and subsystems contained in Generalscan products.

Generalscan and the Generalscan graphic are registered trademarks of Generalscan. The Generalscan logo is a registered trademark of Generalscan Technologies, Inc., a Generalscan Technologies company.

All trademarks and service marks are proprietary to their respective owners. Bluetooth is a registered trademark of Bluetooth SIG. Google, Android are either registered trademarks or trademarks of Google Corporation. All other product or service names are the property of their respective owners.

Thanks for you use Generalscan all series of mobile barcode scanning product!

This quick start guide provides basic instructions for how to use the scanner, charging, setting up, programming and etc.

Please be sure to read this quick start guide before you use our product in first time.

Please reference the related chapter for your model.

If you have any question and advice, please our distributor, system integrator or send email to sales@generalscan.com

More detail production information, please visit the following web site

<http://www.generalscan.com>

Bluetooth Barcode Companion Series

GS-M100BT
GS-M300BT-PRO
GS-M500BT
Quick Start Guide



Charging

Before using the Generalscan Bluetooth barcode companion which include GS-M100BT, GS-M300BT, GS-M500BT for the first time, please charge the battery using micro-USB cable until the red charging LEDs light is off. You can plug the USB-A cable into any PC USB port or Android smartphone charging adapter with 5V DC output.

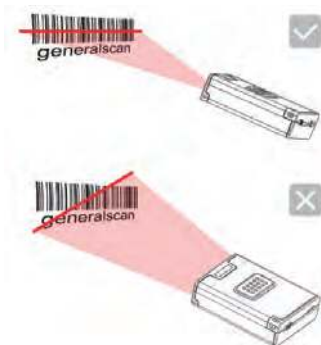
Model	GS-M100BT	GS-M300BT	GS-M500BT
Interface	Micro-USB	Micro-USB	Micro-USB
Charging Voltage	DC-5V 0.3A	DC-5V 0.3A	DC-5V 0.5A
Battery Volume	500mAh	500mAh	550mAh
Charging Time	3-5 hour	3-5 hour	3-5 hour
Working Time(10s interval trigger with good decode)	12 hour	14 hour	13 hour

Scanning Techniques

Please aim at the middle of the barcode through the red light when scan the barcode.

Please scan properly in accordance with the following diagram,adjust the scanner angle and distance slowly, at the same time, press the trigger button, make the centre red light cover the left to right of the barcode.

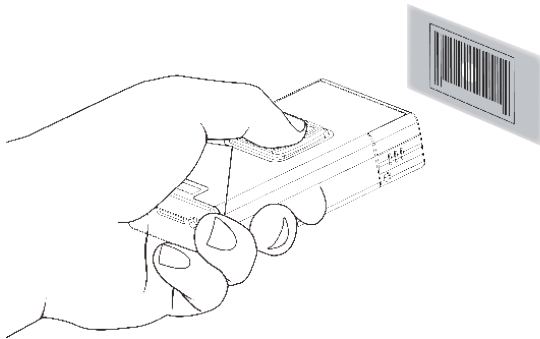
Do not use the second image to scan barcode.



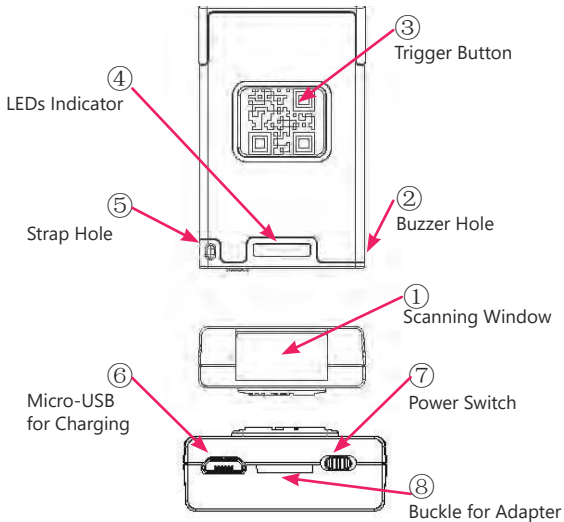
Scanning Techniques

1. Aim the scanner at the barcode
2. Press the trigger button to scan the barcode
3. Ensure the aiming dot is centered on the barcode.

Note: Aiming point of GS-M500BT is blue rectangle, GS-M500BT-Pro is red dot.



Product Outlook



Function Description

Item	Name	Description
1	Scanning Window	Reading barcode ,Red light or Laser will beam out from this window
2	Buzzer Hole	The buzzer will sound when good decoded: (1) Connect USB cable, buzzer will beep“b...b.b.”; (2) Good decoed: Flashing green light and buzzer one time.
3	Trigger Button	Press the trigger button to scan the barcode one time,double click to hide and display soft keyboard in iOS device like iphone or iPad.
4	LEDs Indicator	LED has three color (Red,Green,Blue) which indicate with different scenario.Please reference the following table for detail description
5	Strap Hole	Fix strap into this hole

Function Description

Item	Name	Description
6	MicroUSB	Charge with Bluetooth barcode scanner with Micro-USB or connect PC with USB port.
7	Power Switch	Swith to left or right to power on the scanner of turn off the scanner.Please turn off the power to save power.
8	Buckle for Adapter	Use for buckle scanner with adapter

LED Indicator Description

Item	Status	Description
1	Green LED light flashing(with buzzer sound)	Decode success
2	Green LED light flashes continuously	Low battery alarm
3	Red LED light constant light	Charging
4	Red LED light turn off	Charging is complete
5	Red LED light flashes continuously	Built-in battery abnormal
6	Blue LED continuously flashing	Enter the Bluetooth pairing mode
7	Blue LED turn off	Bluetooth Pairing successful

Working with Mobile Phone Adapter

M series Bluetooth barcode scanner can fix on the mobile phone adapter. You can stick the adapter on the back of mobile phone's protective case with magic double side sticker.

So you can handhold the scanner with smartphone with one hand .

Please fix mobile phone adapter in th clip on the back of scanner, The steps is shown in the following figure:

Figure-1



Figure-2

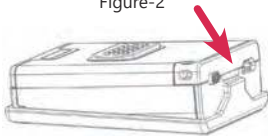


Figure-3

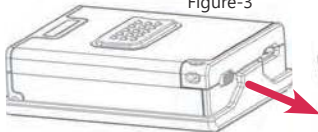
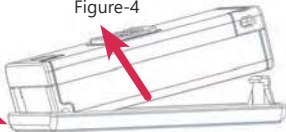


Figure-4



Bluetooth Ring Barcode Scanner Series

GS-R1000BT Series, GS R1500BT-HW Quick Start Guide



Charging

Before using the Generalscan Bluetooth ring barcode companion which include GS-R1000BT, GS-R1500BT for the first time, please charge the battery using micro-USB cable until the red charging LEDs light is off. You can plug the USB-A cable into any PC USB port or Android smartphone charging adapter with 5V DC output.

Model	GS-R1000BT	GS-R1500BT
Interface	Micro-USB	Micro-USB
Charging Voltage	DC-5V 0.3A	DC-5V 0.5A
Battery Volume	280mAh	280mAh
Charging Time	3-5 hour	3-5 hour
Working Time(10s interval trigger with good decode)	12 hour	8hour

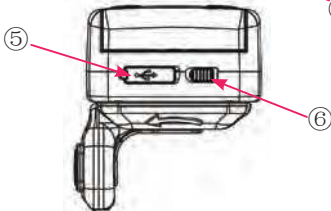
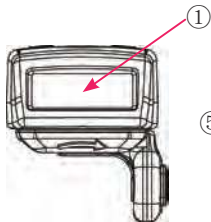
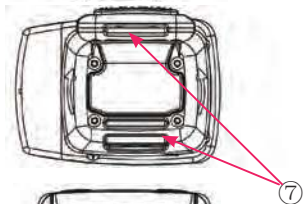
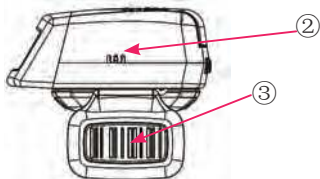
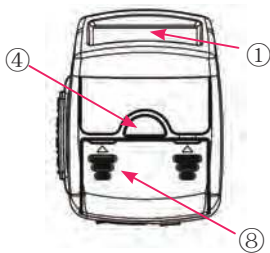
Scanning Techniques

Please aim at the middle of the barcode through the red light when scan the barcode.

Please scan properly in accordance with the following diagram, adjust the scanner angle and distance slowly, at the same time, press the trigger button, make the centre red light cover the left to right of the barcode.

Do not use the second image to scan barcode.





Function Description

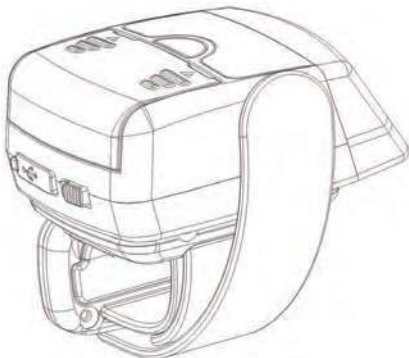
Item	Name	Description
1	Scanning Window	Reading barcode, Red light or Laser will beam out from this window
2	Buzzer Hole	The buzzer will sound when good decoded: (1) Connect USB cable, buzzer will beep "b....b.b."; (2) Good decoed: Flashing green light and buzzer one time.
3	Trigger Button	Press the trigger button to scan the barcode one time,Double click to hide and display soft keyboard in iOS device like iphone or iPad.
4	LEDs Indicator	LED has three color (Red,Green,Blue) which indicate with different scenario.Please reference the following table for detail description
5	Micro USB	Charge with Bluetooth barcode scanner with Micro-USB or connect PC with USB port.

Function Description

Item	Name	Description
6	Power Switch	Switch to left or right to power on the scanner of turn off the scanner.Please turn off the power to save power.
7	Magic Strap Hole	Take the yellow magic strap through the hole to wear it on the finger
8	Battery cover	Take off the battery cover to change the battery

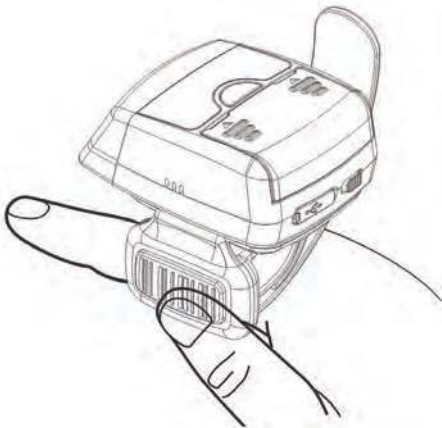
Velcro Wear Instruction

Please reference the following image to tighten or loose the velcro to make your finger comfortable.



Velcro Wear Instruction

Please reference the following image to tighten or loose the velcro to make your finger comfortable.



Bluetooth Ring Barcode Scanner Series

GS-R5000BT Series Quick Start Guide



Charging

Before using the Generalscan Ring-type Bluetooth barcode scanner GS-R5000BT Series, GS-R1500BT for the first time, please charge the battery using micro-USB cable until the red charging LEDs light is off. You can plug the USB-A cable into any PC USB port or Android smartphone charging adapter with 5V DC output.

Model	GS-R5000BT	GS-R5000BT -51C	GS-R5000BT -5MQ	GS-R5000BT -65Q
Interface	Micro-USB	Micro-USB	Micro-USB	Micro-USB
Charging Voltage	DC-5V 0.3A	DC-5V 0.3A	DC-5V 0.3A	DC-5V 0.3A
Battery Volume	500mAh	500mAh	500mAh	500mAh
Charging Time	3-5 hour	3-5 hour	3-5 hour	3-5 hour
Working Time(10s interval trigger with good decode)	15 hour	12 hour	15 hour	17 hour

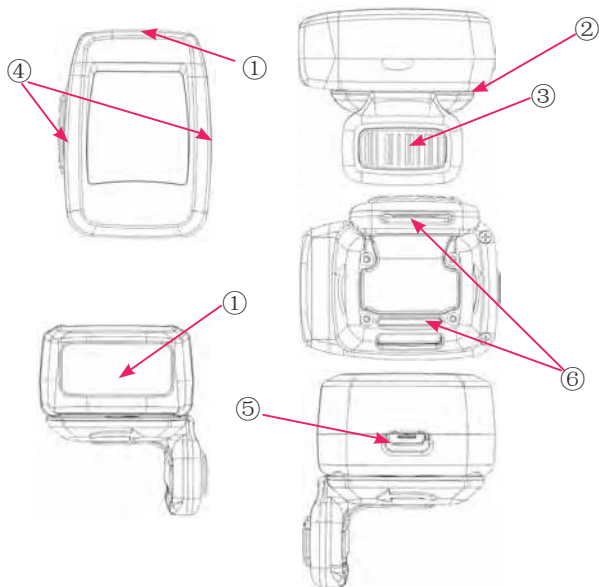
Scanning Techniques

Please aim at the middle of the barcode through the red light when scan the barcode.

Please scan properly in accordance with the following diagram, adjust the scanner angle and distance slowly, at the same time, press the trigger button, make the centre red light cover the left to right of the barcode.

Do not use the second image to scan barcode.





Function Description

Item	Name	Description
1	Scanning Window	Reading barcode, Red light or Laser will beam out from this window
2	Buzzer Hole	The buzzer will sound when good decoded: (1) Connect USB cable, buzzer will beep "b....b.b."; (2) Good decoed: Flashing green light and buzzer one time.
3	Trigger Button (Power switch)	Press the trigger button to scan the barcode one time,Double click to hide and display soft keyboard in iOS device like iphone or iPad. Long press for 3 seconds to turn on the scanner, Long press for 5 seconds to turn off the scanner
4	LEDs Indicator	LED has three color (Red,Green,Blue) which indicate with different scenario.Please reference the following table for detail description
5	Micro USB	Charge with Bluetooth barcode scanner with Micro-USB or connect PC with USB port.

Function Description

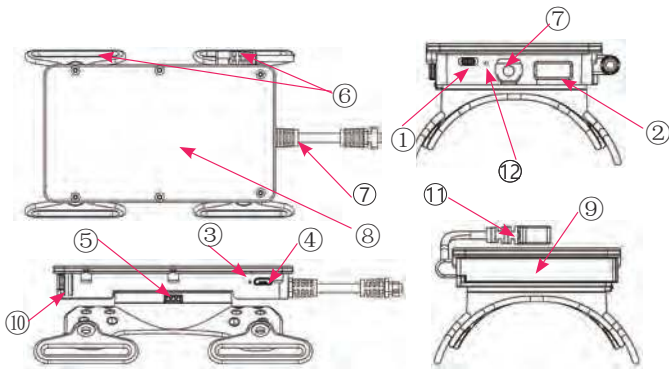
Item	Name	Description
6	Magic Strap Hole	Take the yellow magic strap through the hole to wear it on the finger

Wearable Arm-mount Barcode Terminal Series

GS-WT1000BT
GS-WT1500BT
Quick Start Guide



WT Series Product Outlook



Function Description

Item	Name	Description
1	Power Switch	Switch to left or right for power on /off
2	External Charging Port	Only for GS-WT1000BT for charging GS-R1000BT
3	LED Indicator(Blue or Red color)	When in charging,red LED will turn on
4	Micro USB	Charging for internal battery
5	Buckle Button for Arm mount	Press the button to dismantle the arm mount
6	Strap Hole	Fix the magic sticker

Function Description

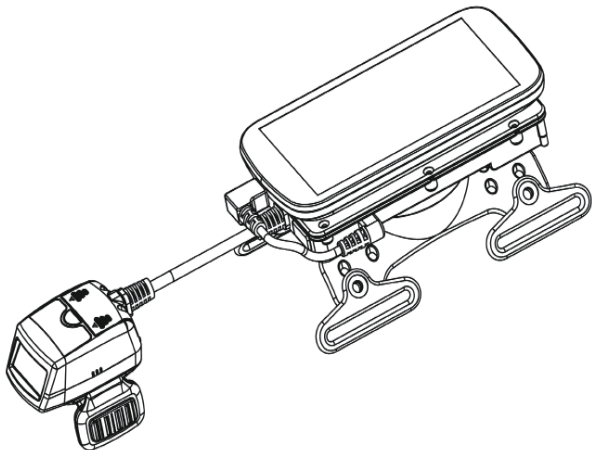
Item	Name	Description
7	Spring cable for scanner	Connect ring scanner to arm mount
8	Smart phone Platform	Use double side magice sticker to fix smartphone
9	Battery Door	Open the door to change the battery
10	Buckle for battery door	To fasten the battery door
11	Smartphone Micro-USB plug	for communication with smartphone
12	Bluetooth LED Indicator (Blue color)	Bluetooth don't connected,the blue LED flash.Blutetooth is connected,the blue LED turn off

WT Series Installation

- 1.Put the smartphone with protective case and fix with double side magic sticker
 - 2.Reference the following diagram, plug Micro-USB cable into Android smartphone charging port
 - 3.Put the battery into compartment and close the battery door.
 - 4.Power on the pow switch ,make sure the blue LED turn on.
 - 5.Power on the ring scanner power switch.
 - 6.Install Generalscan keyboard app or SDK apps.
 - 7.Power off and Power on again , the Android system will find Android USB Accessory .
 - 8.Then you can scan the barcode and transfer the barcode into your apps
- For detailed instructions, please visit the following web site.

<http://www.generalscan.com>

WT Series Installation



Generalscan Barcode Configuration Guide

1. Bluetooth Mode Setting



Bluetooth HID Mode(*)



Bluetooth SPP Mode



Bluetooth BLE Mode



Bluetooth SPP Master Mode

Note: Apply for all Bluetooth barcode scanner

2.USB Output Interface



USB-HID Output Mode



USB-VPC Output Mode

Note: Apply for all Bluetooth barcode scanner

3.Hibernation Time



1 second Hibernation(*)



5 second Hibernation



Disable Hibernation

Note: Apply for all Bluetooth barcode scanner

4. Hardware Information



Read Firmware Version



Read Device ID



Read Battery Capacity

Note: Apply for all Bluetooth barcode scanner

5. Enter DFU Mode-Firmware Update



Enter DFU Mode

6. Default Factory Setting



Default Factory Setting

Note: Apply for all Bluetooth barcode scanner

7.Suffix Setting



Disable Suffix



Enable Suffix(*)

Note: Apply for all Bluetooth barcode scanner. Default suffix is CR+LF.

8. Special Suffix Setting



Suffix: CR LF(+)



Suffix: CR



Suffix: LF



Suffix: TAB



Suffix: SPACE

Note: Apply for all Bluetooth barcode scanner

9.Offline Storage Mode



Enable Offline Storage Mode



Disable Offline Storage Mode(*)



Barcode Storage Information



Clear Barcode Storage

Note: Apply for all Bluetooth barcode scanner

10.Offline Storage Mode



Fast Speed Upload



Middle Speed Upload



Low Speed Upload

Note: Apply for all Bluetooth barcode scanner

11.Auto Trigger Mode



Disable Auto Trigger(*)



1 Second Auto Trigger



2 Second Auto Trigger



5 Second Auto Trigger

Note: Apply for all Bluetooth barcode scanner

12.Reset Bluetooth Name



Reset Factory Bluetooth Name

Note: Apply for all Bluetooth barcode scanner

13.HID Keyboard Layout



English Keyboard
Layout(*)



France Keyboard
Layout



German Keyboard
Layout



Spanish keyboard
Layout



Italian Keyboard
Layout



Japanese Keyboard
Layout

Note: Apply for all Bluetooth barcode scanner

14. Bluetooth Dongle Setting



Clear Bluetooth Pairing Information



Default Dongle Factory Setting



Read Dongle Firmware



Read Dongle Device ID

Note: Apply for GS-D100BT Bluetooth Dongle

15. Bluetooth Dongle Setting



Read Dongle MAC Address



USB HID Output Mode



USB VCP Output Mode

Note: Apply for GS-D100BT Bluetooth Dongle

16.Vibration Setting



Vibrator OFF



Vibrator Level-1



Vibrator Level-2



Vibrator Level-3(*)



Vibrator Level-4

Note: Apply for all Bluetooth barcode scanner with vibrator

17. Volume Setting



OFF



Low



Middle



High(*)

Note: Not apply for M500BT-SE, R5000BT, WT5000X Bluetooth barcode scanner

18-1. Bluetooth Pairing Guide

When you use Generalscan Bluetooth barcode first time, the default data transfer interface is Bluetooth HID mode, You can connect Bluetooth barcode scanner with Android, iOS, Windows device.

For detailed instructions, please visit the following web site.

<http://www.generalscan.com>

The Generalscan Bluetooth barcode scanner have three transfer protocols, First is HID mode. Android, iOS and Windows support HID, You don't need install any software to use HID. You can scan barcode into the cursor position.

Please scan the following barcode to switch HID mode:



Bluetooth HID Mode

Note: Apply for all Bluetooth barcode scanner

18-2. Bluetooth Pairing Guide

The second is SPP mode. This mode is wireless serial port mode, Android system support SPP mode, but iOS don't support this mode. When you connect Android system not successful in HID mode, please switch to SPP mode.



Bluetooth SPP Mode

When you use SPP mode for Android platform, you should use the "Generalscan SDK Demo" or "Generalscan Keyboard-Pro" APP to read barcode from the SPP port. Scan the QR code below to download the APP from Google Play.



Generalscan SDK Demo



Generalscan Keyboard-Pro

Note: Apply for all Bluetooth barcode scanner

18-3. Bluetooth Pairing Guide

The third is BLE mode, This mode is a low-power protocol after BT4.0 specification. BLE mode Support Android and iOS.

Android uses "Generalscan Keyboard-Pro" APP to connect; iOS uses "BLE terminal" to connect.



Bluetooth BLE Mode

Scan the QR code below to download the APP from Google Play.



Generalscan SDK Demo

Note: Apply for all Bluetooth barcode scanner with BLE

19.Trouble Shooting

Problem	Possible Solution
Laser or imager comes out from scan windows, but there is no any output from Bluetooth.	Ensure the scanner is programmed to read the type of barcode being scanned.
	Confirm the output mode is Bluetooth Output mode
	Move scanner closer to or further from the barcode
No Laser or Imager out from scan windows	Charge the battery with Micro-USB Port
	Push the power switch to ON

20.Trouble Shooting

Problem	Possible Solution
iOS can not find the Bluetooth scanner	Scan the Pairing mode barcode
	Remove the paired scanner in the smartphone or tablet
Scanbuddy GS-X series plug into smartphone ,but can not work,No lighting comes from scan window	Confirm your device support OTG function and can provide at least 300mAh current to external scanner
	Confirm driver was install properly

21.Regulatory Information

This guide applies to all Generalscan barcode scanner.

All Generalscan devices are designed to be compliant with rules and regulations in locations they are sold and will be labeled as required.

Any changes or modifications to Generalscan equipment, not expressly approved by Generalscan, could void the user's authority to operate the equipment.

CAUTION:

Only use Generalscan approved and UL Listed accessories, battery packs and battery chargers.

Do NOT attempt to charge damp/wet mobile computers or batteries. All components must be dry before connecting to an external power source.

Declared maximum operating temperature:40°C .

Bluetooth® Wireless Technology

This is an approved Bluetooth® product. For more information or to view End Product Listing, please visit <https://www.bluetooth.org/tpg/listings.cfm>

22. Health and Safty Recommendations

Ergonomic Recommendations

Caution: In order to avoid or minimize the potential risk of ergonomic injury follow the recommendations below. Consult with your local Health&Safety Manager to ensure that you are adhering to your company's safety programs to prevent employee injury.

- Reduce or eliminate repetitive motion
- Maintain a natural position
- Reduce or eliminate excessive force
- Keep objects that are used frequently within easy reach
- Perform tasks at correct heights
- Reduce or eliminate vibration
- Reduce or eliminate direct pressure
- Provide adjustable workstations
- Provide adequate clearance
- Provide a suitable working environment
- Improve work procedures.

23.Laser Devices

For LED devices which have been evaluated to IEC 62471 and comply with the Exempt Risk Group, no product labeling requirements apply.

However, the following statement is required to comply with US and international regulations:

LED Compliance Statement:

Classified as "EXEMPT RISK GROUP" according to IEC 62471:2006 and EN 62471:2008

24.Batteries Ergonomic Recommendations

EPA (Environmental Protection Administration) requires dry battery producing or importing firms in accordance with Article 15 of the Waste Disposal Act are required to indicate the recycling marks on the batteries used in sales, giveaway or promotion. Contact a qualified Taiwanese recycler for proper battery disposal.

Taiwan - Recycling



「廢電池請回收」

CAUTION: Risk of explosion if battery is replaced by an incorrect type. Dispose of batteries according to instructions.

Use only Generalscan approved batteries.

25. Battery Safety Guidelines

- The area in which the units are charged should be clear of debris and combustible materials or chemicals. Particular care should be taken where the device is charged in a non commercial environment.
- Follow battery usage, storage, and charging guidelines found in the user's guide.
- Improper battery use may result in a fire, explosion, or other hazard.
- To charge the mobile device battery, the battery and charger temperatures must be between +32 °F and +104 °F (0 °C and +40 °C).
- Do not use incompatible batteries and chargers. Use of an incompatible battery or charger may present a risk of fire, explosion, leakage, or other hazard. If you have any questions about the compatibility of a battery or a charger, contact the Global Customer Support Center.
- For devices that utilize a USB port as a charging source, the device shall only be connected to products that bear the USB-IF logo or have completed the USB-IF compliance program.

26. Battery Safety Guidelines

- Do not disassemble or open, crush, bend or deform, puncture, or shred.
- Severe impact from dropping any battery-operated device on a hard surface could cause the battery to overheat.
- Do not short circuit a battery or allow metallic or conductive objects to contact the battery terminals.
- Do not modify or remanufacture, attempt to insert foreign objects into the battery, immerse or expose to water or other liquids, or expose to fire, explosion, or other hazard.
- Do not leave or store the equipment in or near areas that might get very hot, such as in a parked vehicle or near a radiator or other heat source.
- Do not place battery into a microwave oven or dryer.
- Battery usage by children should be supervised.
- Please follow local regulations to promptly dispose of used rechargeable batteries.
- Do not dispose of batteries in fire.
- Seek medical advice immediately if a battery has been swallowed.

27. Battery Safety Guidelines

- In the event of a battery leak, do not allow the liquid to come in contact with the skin or eyes. If contact has been made, wash the affected area with large amounts of water and seek medical advice.
- If you suspect damage to your equipment or battery, contact the Global Customer Support Center support to arrange for inspection.

28. Service Information

If you have a problem using the equipment, contact your facility's technical or systems support.

If there is a problem with the equipment, they will contact the Generalscan

Global Customer Support Center at: <http://www.generalscan.com/support>

For the latest version of this guide go to: <http://www.generalscan.com/support>

29. Warranty

For the complete Generalscan hardware product warranty statement, go to: <http://www.generalscan.com/warranty>.



Generalscan Electronics Co.,Ltd. Sales Center

Addr: Room A608, 6 Floor, Building 3, Yadi Science Park, Hetai Road, Baiyun District, Guangzhou, China. 510425

Tel: +86-20-28630420

Fax: +86-20-62351535

Email: sales@generalscan.com

Web: www.generalscan.com